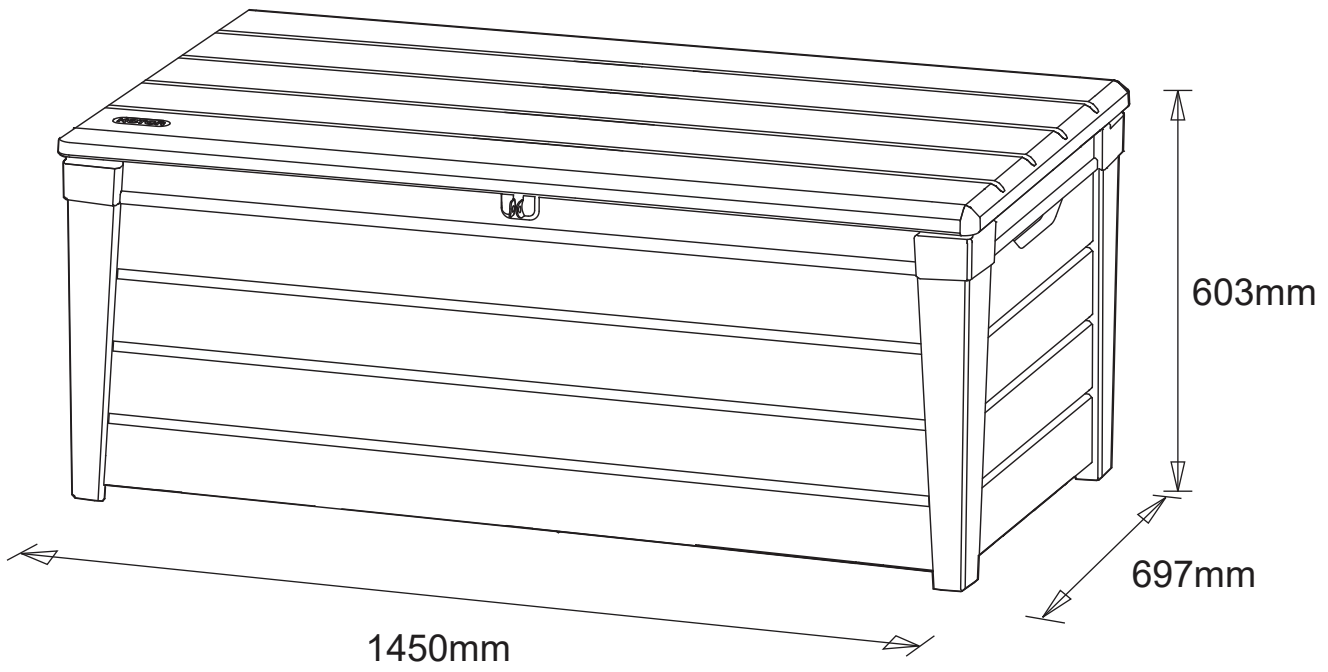
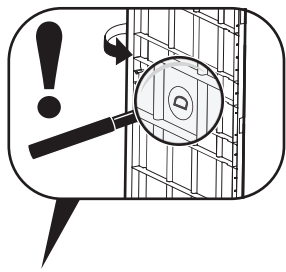


SVENDBORG

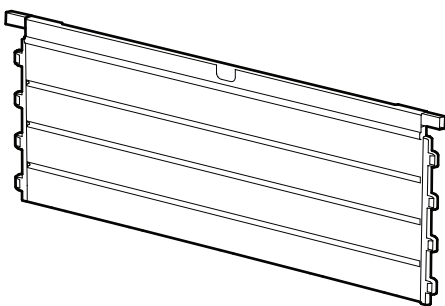
3772000
72695001



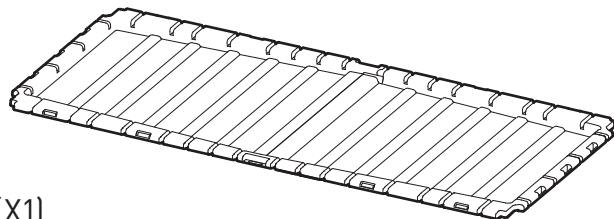
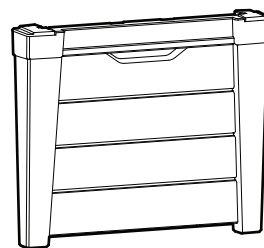
5010680



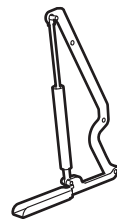
D(x2)



E(X2)



R(X1)



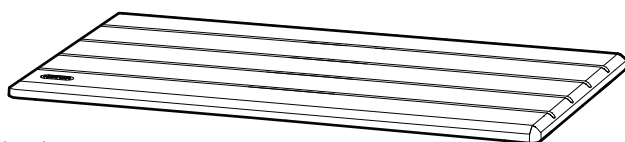
SOP(X2)



M(x1)



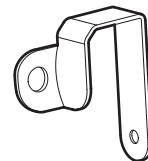
S14(x14)



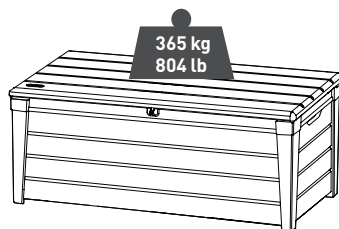
V(X1)



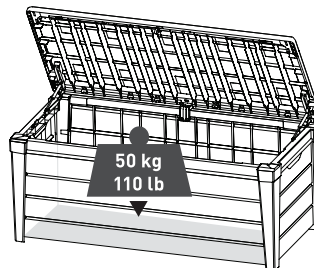
WL1(X1)



WL2(X1)



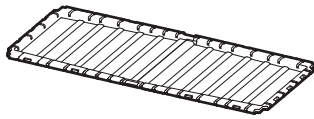
365 kg
804 lb



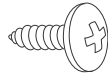
50 kg
110 lb



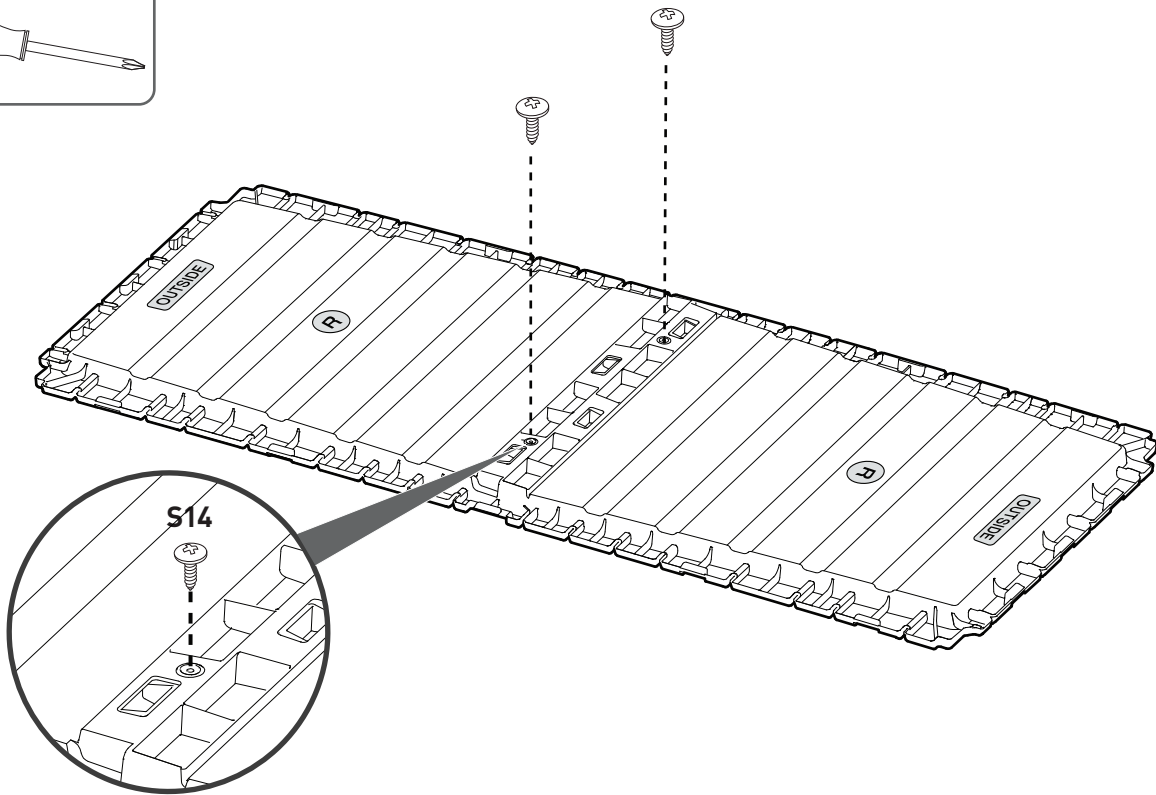
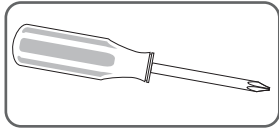
1



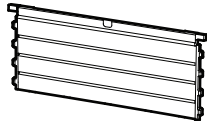
R(x1)



S14(x2)



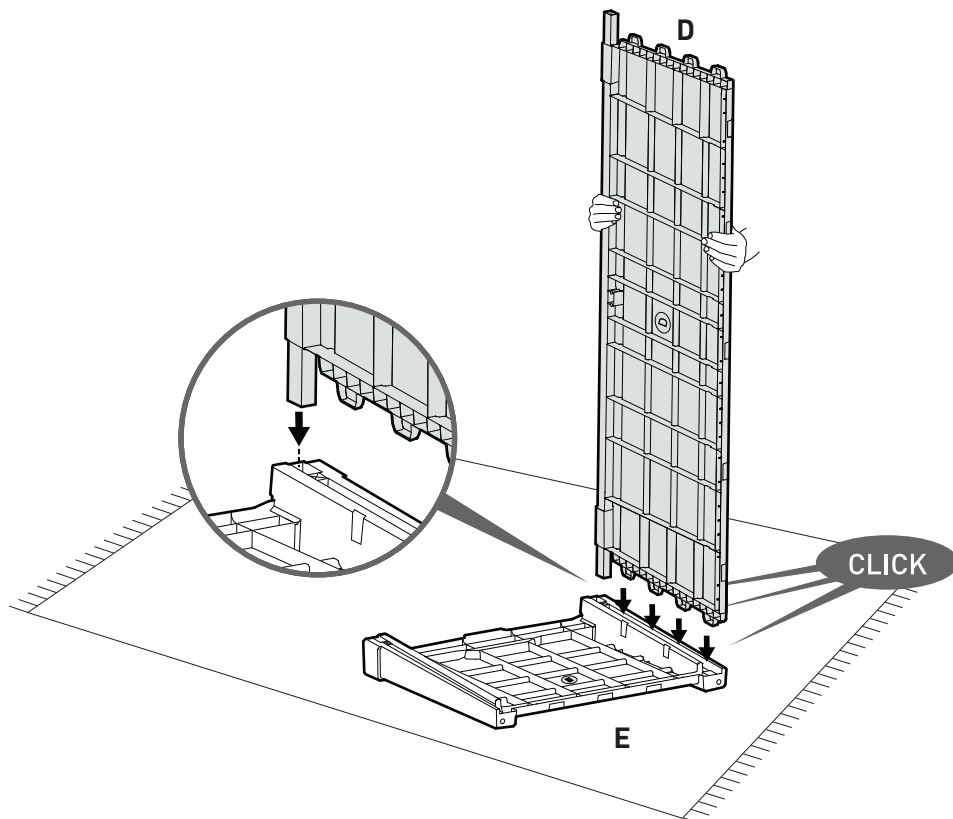
2



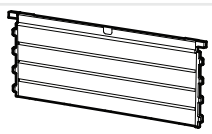
D(x1)



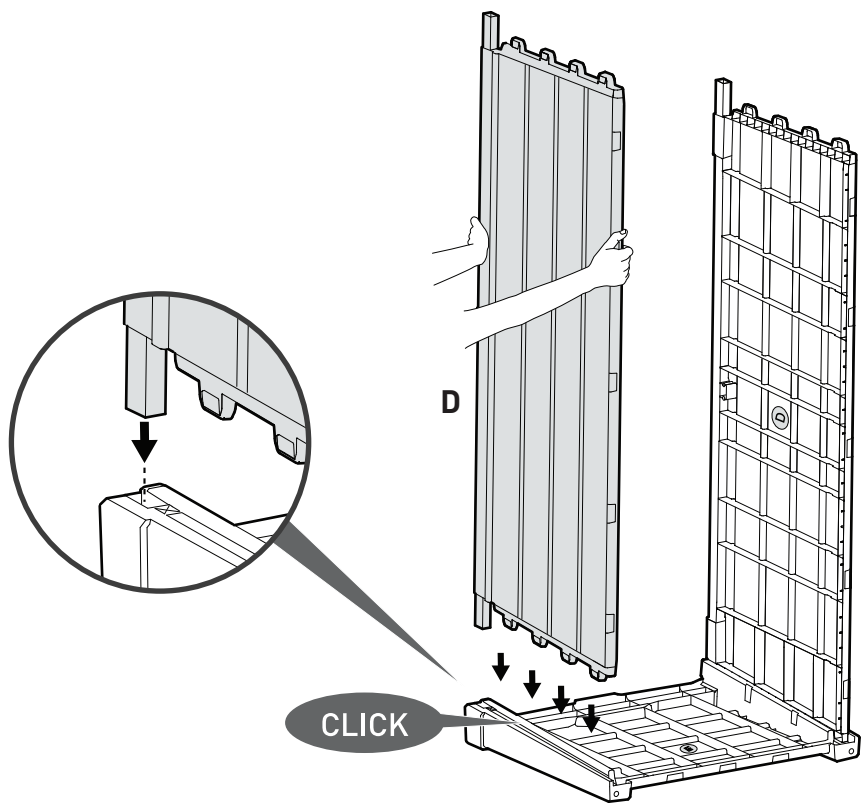
E(x1)



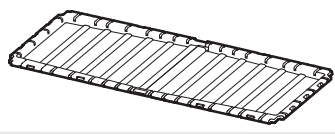
3



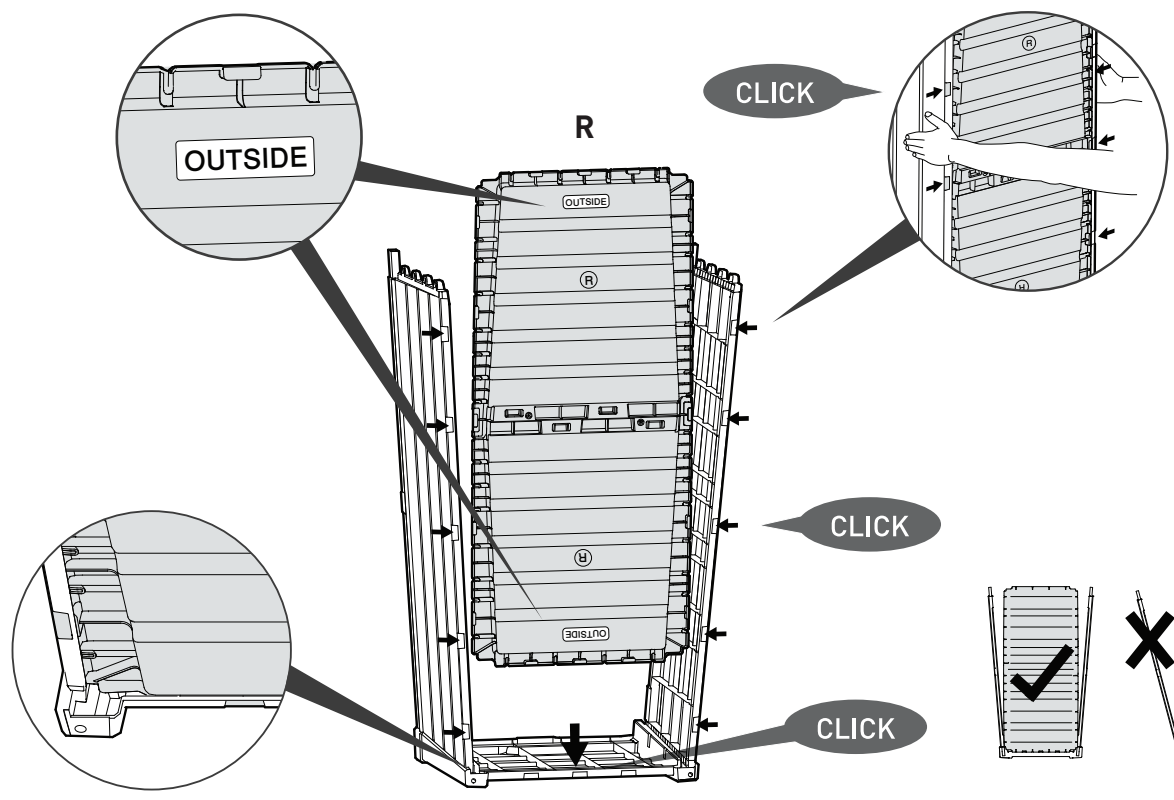
D(x1)



4



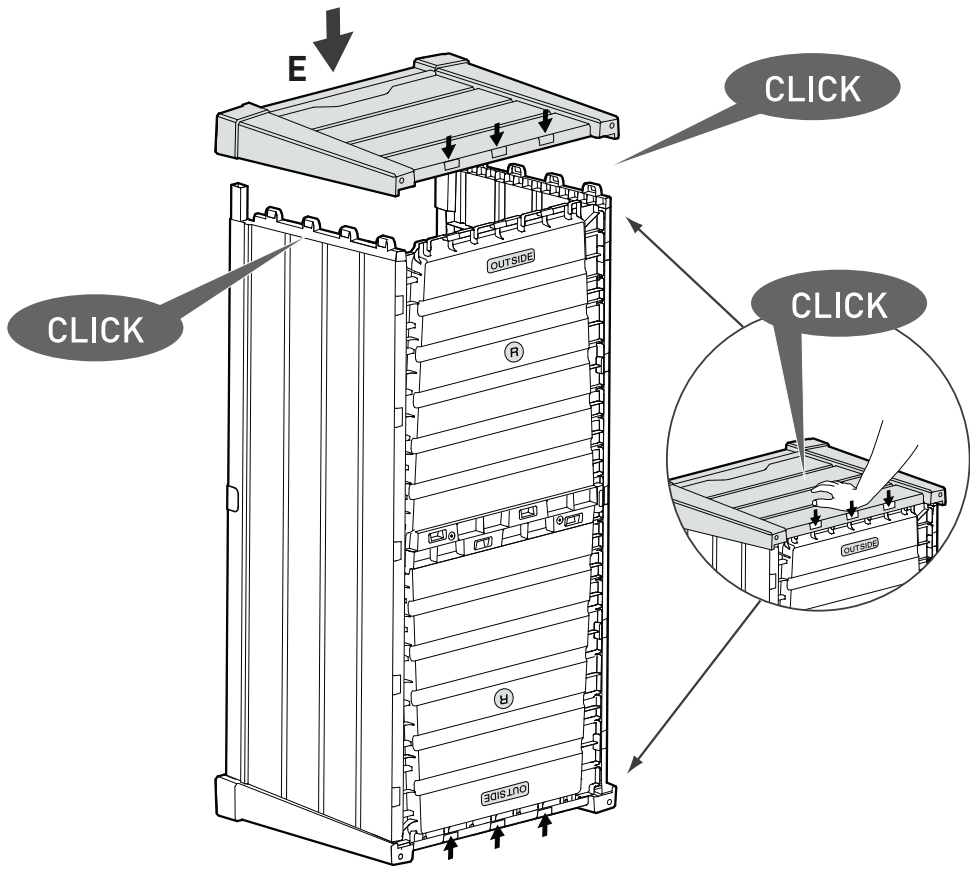
R(x1)



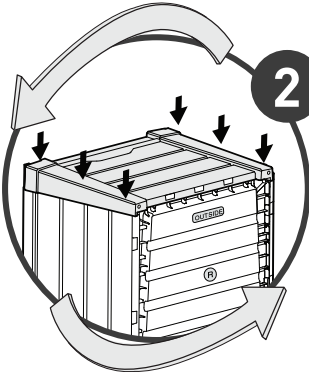
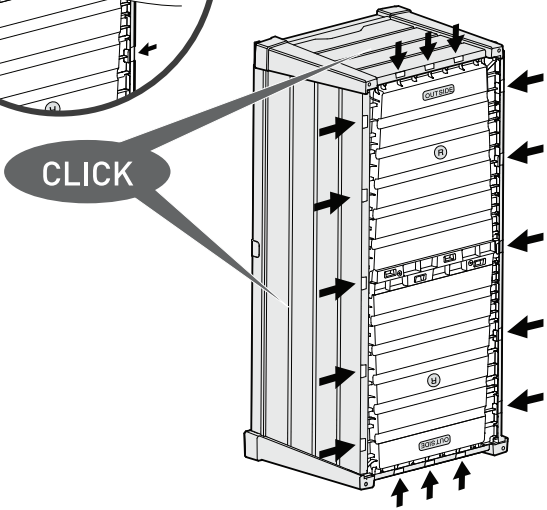
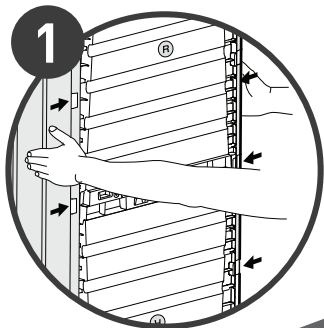
5

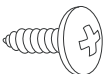


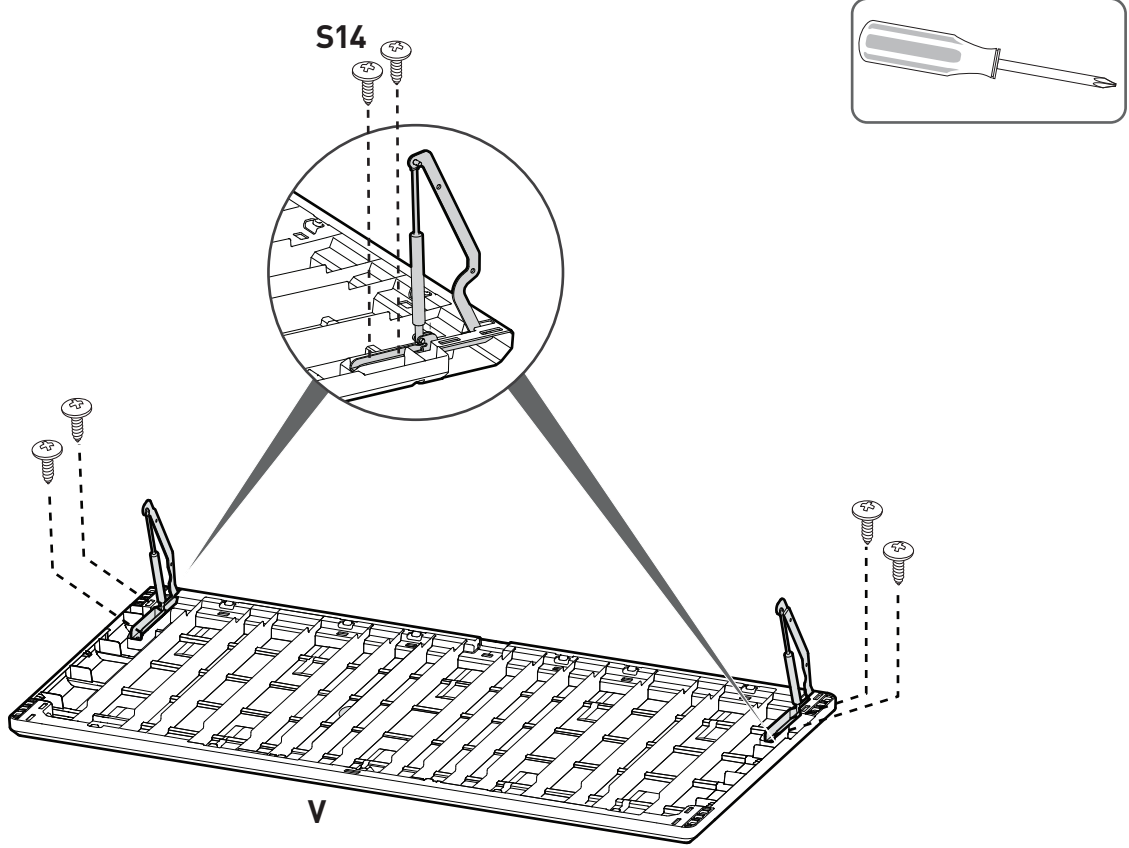
E(x1)



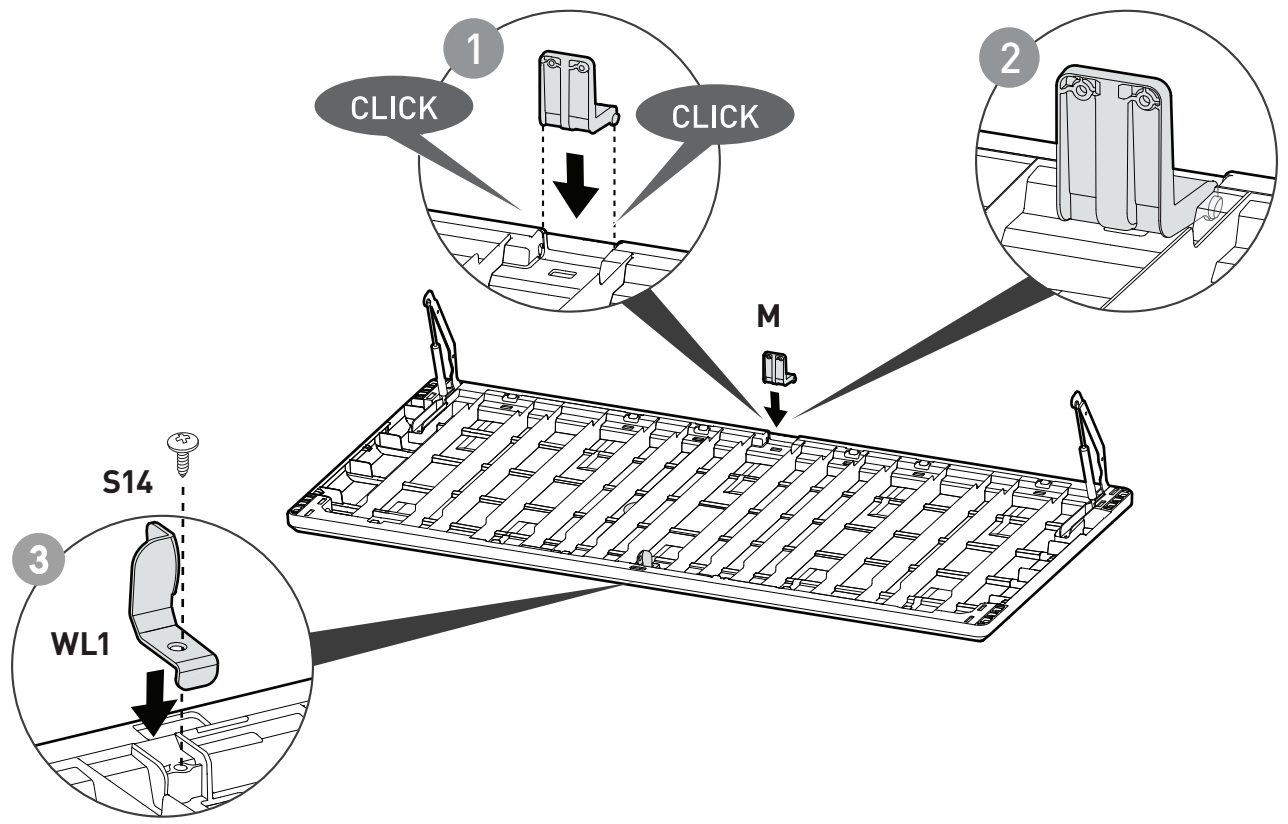
6




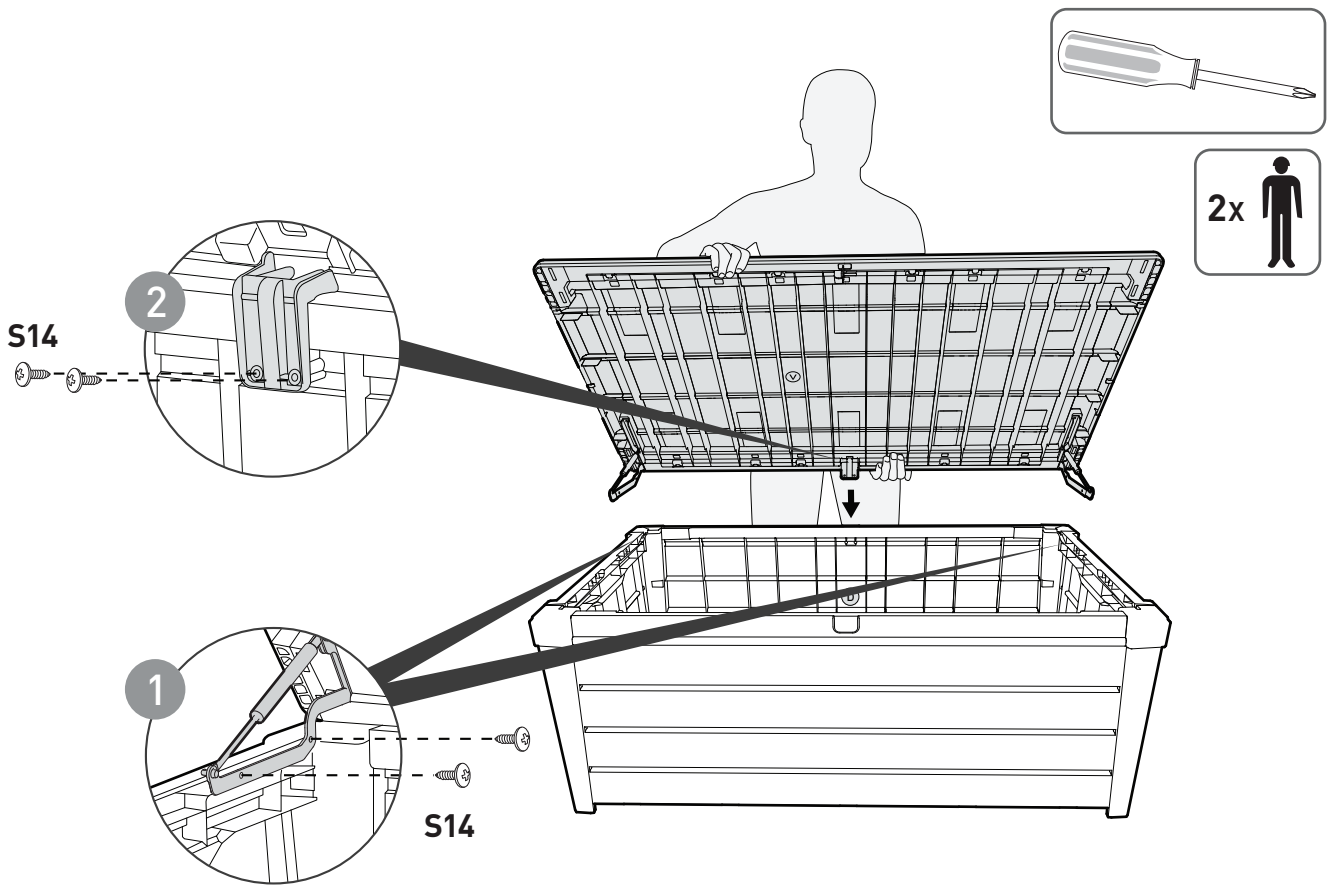
7 |  S14(x4)





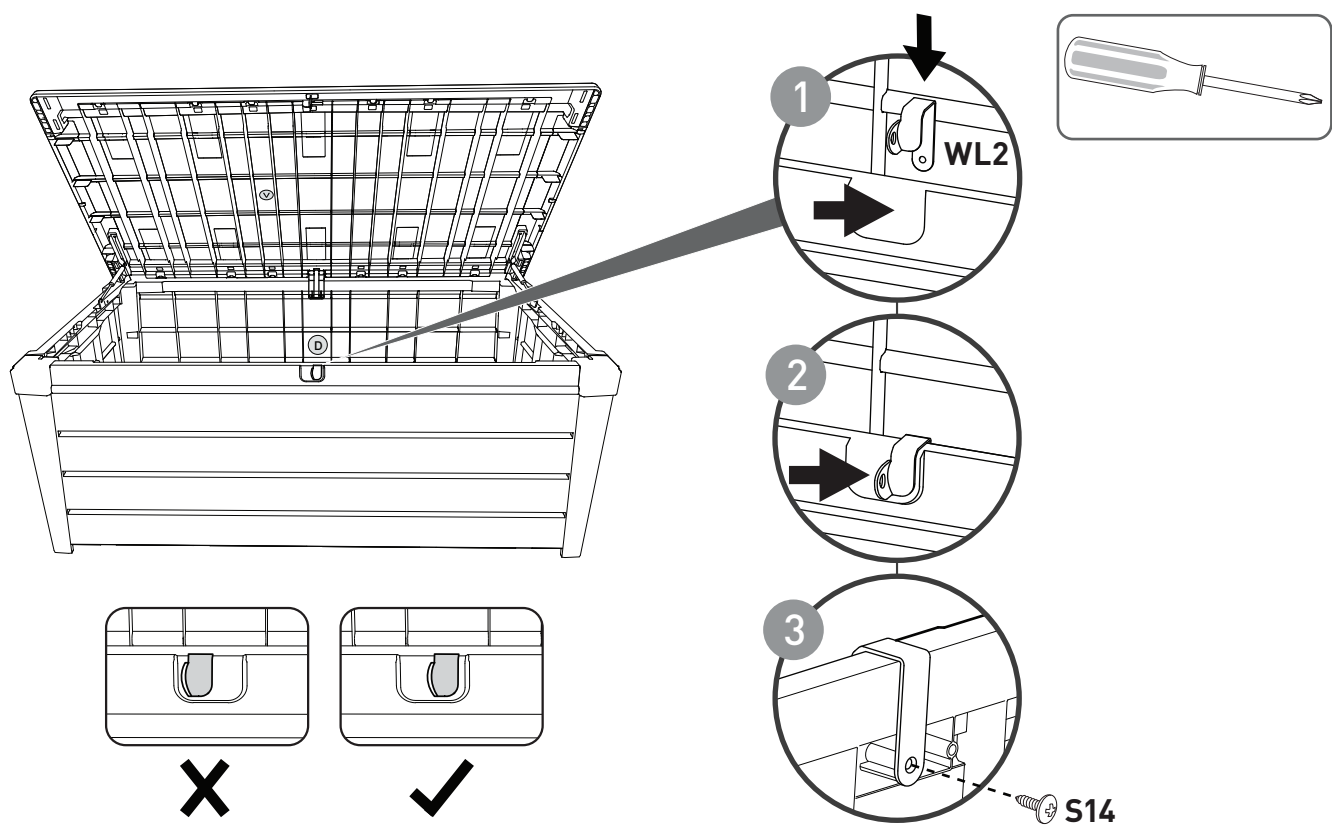
8 |  M(x1) |  S14(x1) |  WL1(x1)



9 |  S14(x6)



10 |  S14(x1) |  WL2(x1)



11

